

Docket No. 10010484-2
**SELF-CALIBRATION OF POWER DELIVERY CONTROL
TO FIRING RESISTORS**

George H. Corrigan
1/8

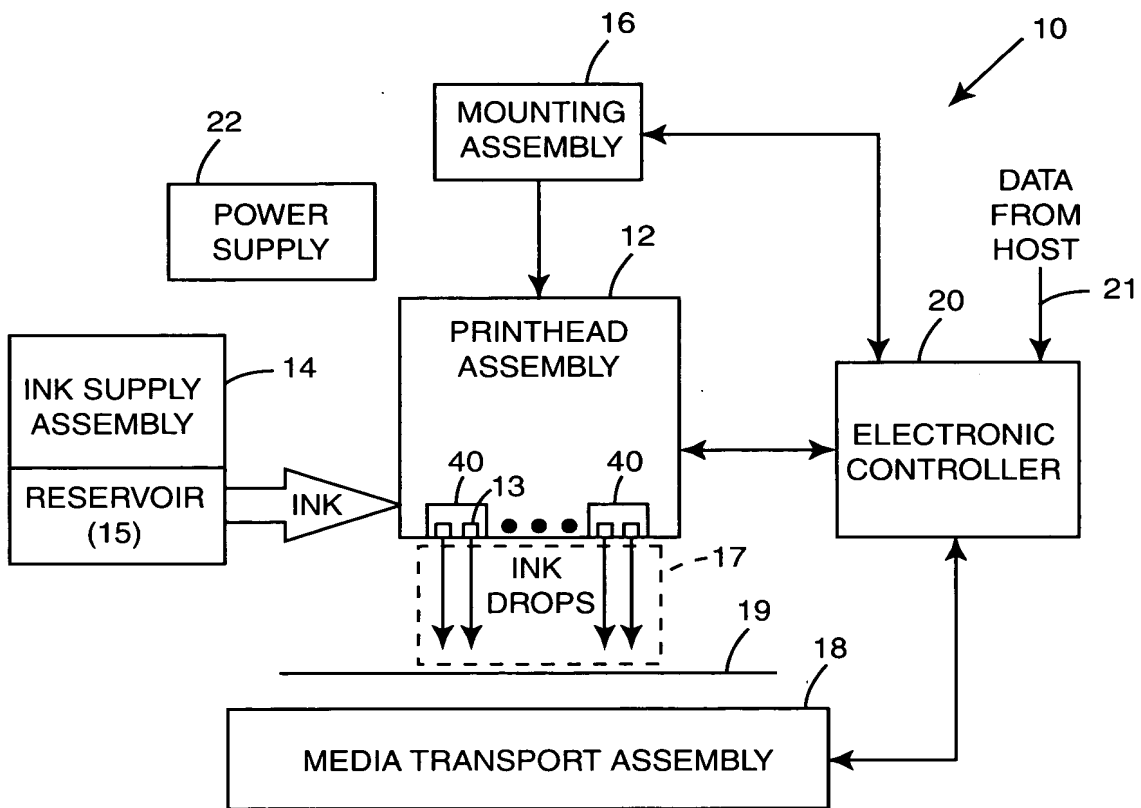


Fig. 1

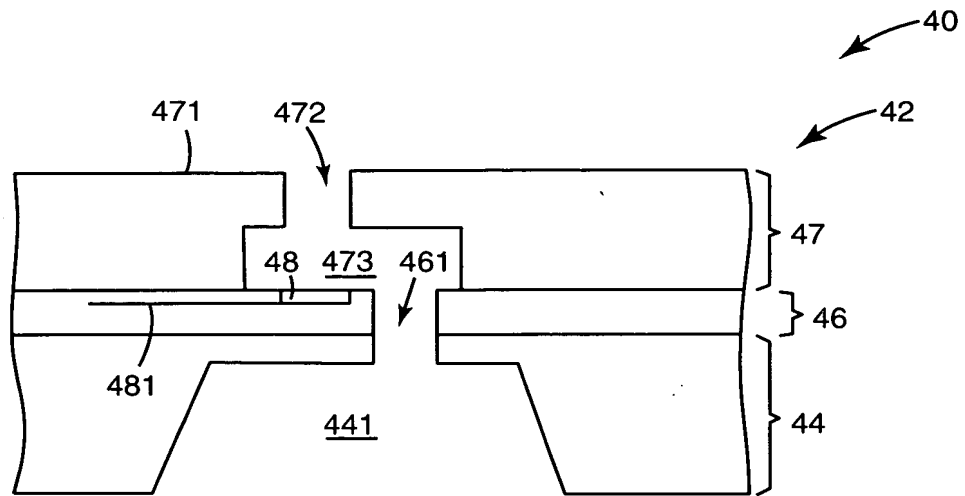


Fig. 2

Docket No. 10010484-2
SELF-CALIBRATION OF POWER DELIVERY CONTROL
TO FIRING RESISTORS

George H. Corrigan

3/8

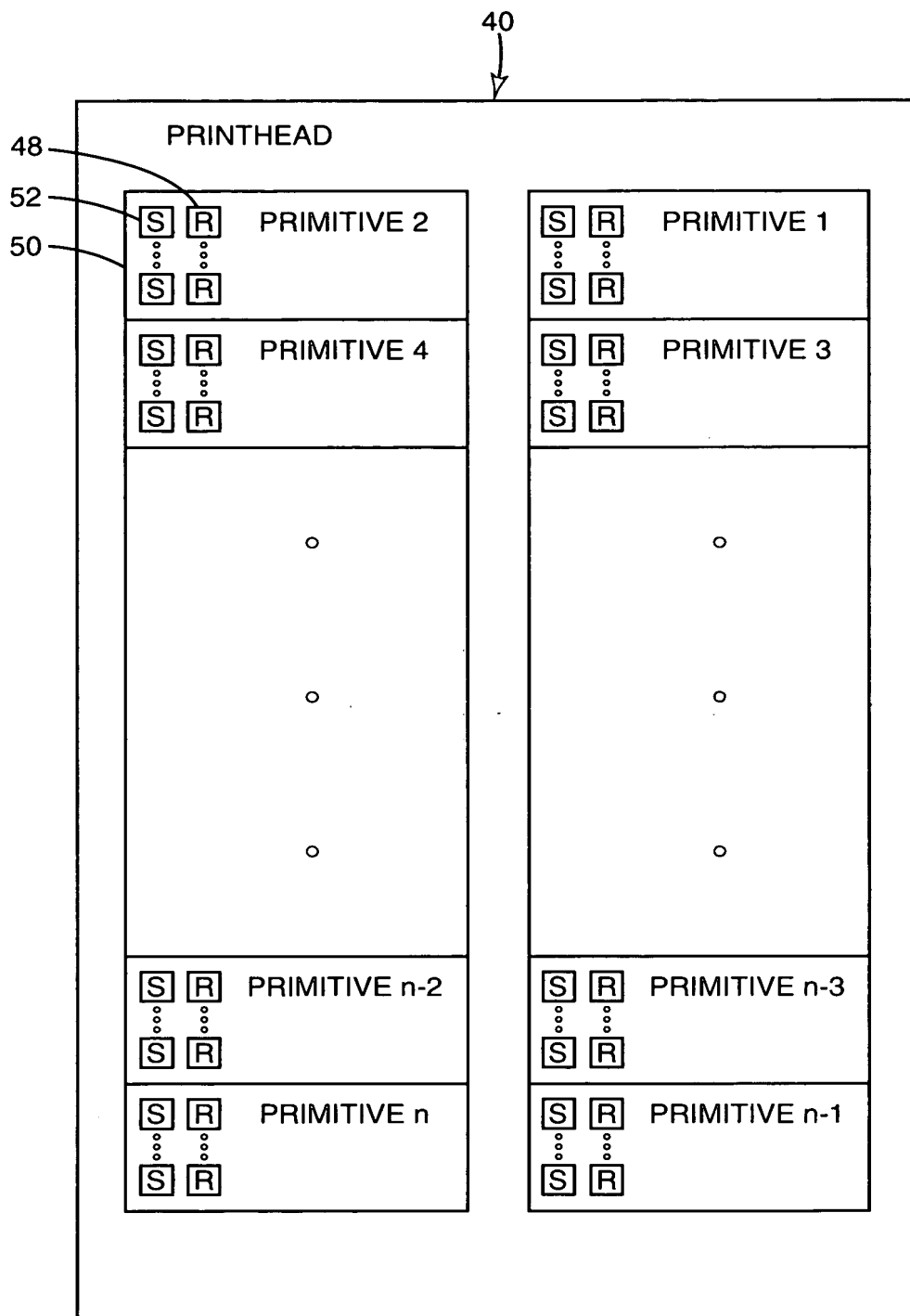


Fig. 3

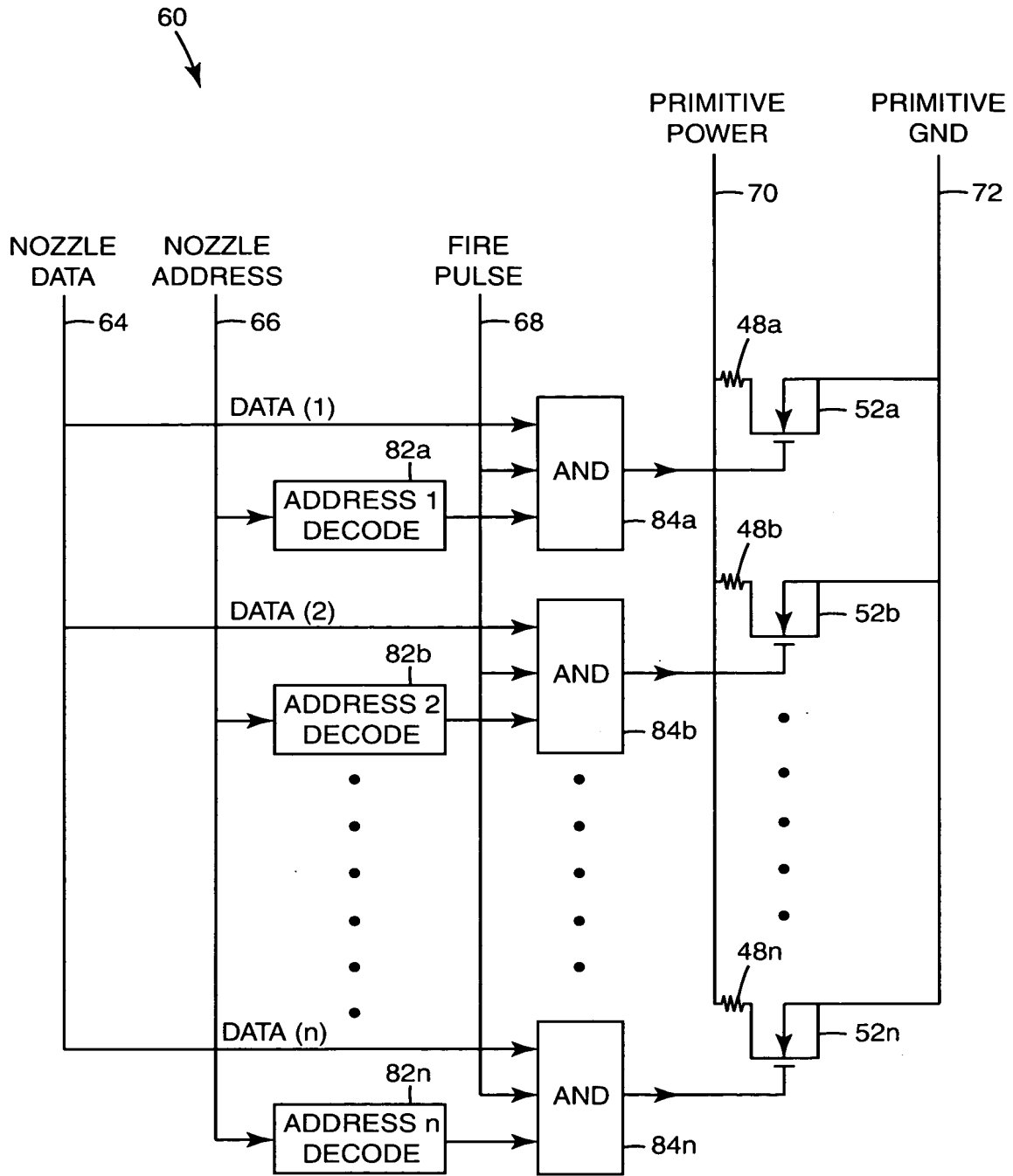


Fig. 4

Docket No. 10010484-2
SELF-CALIBRATION OF POWER DELIVERY CONTROL
TO FIRING RESISTORS

George H. Corrigan

5/8

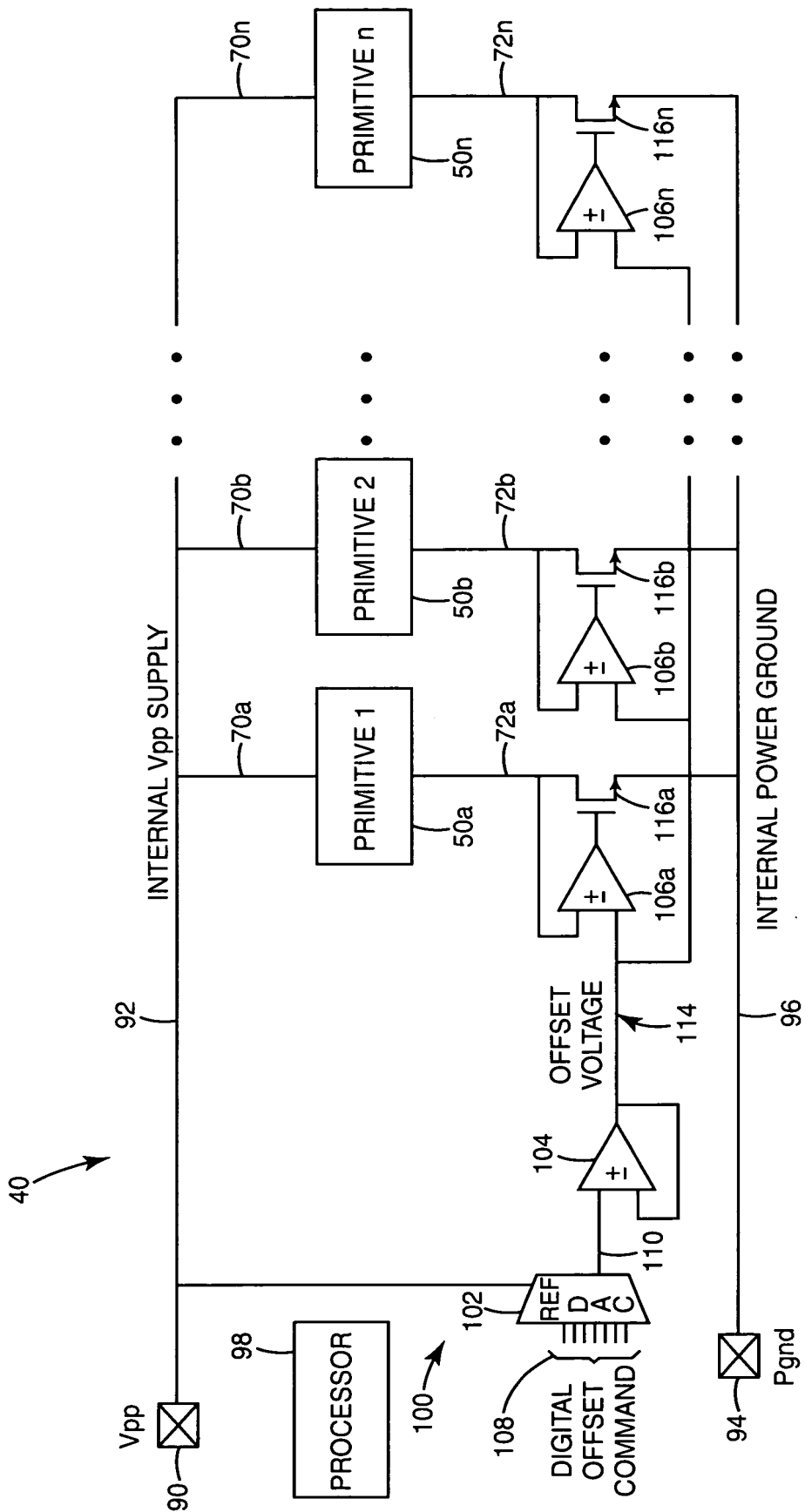


Fig. 5

Docket No. 10010484-2
**SELF-CALIBRATION OF POWER DELIVERY CONTROL
 TO FIRING RESISTORS**

George H. Corrigan
 6/8

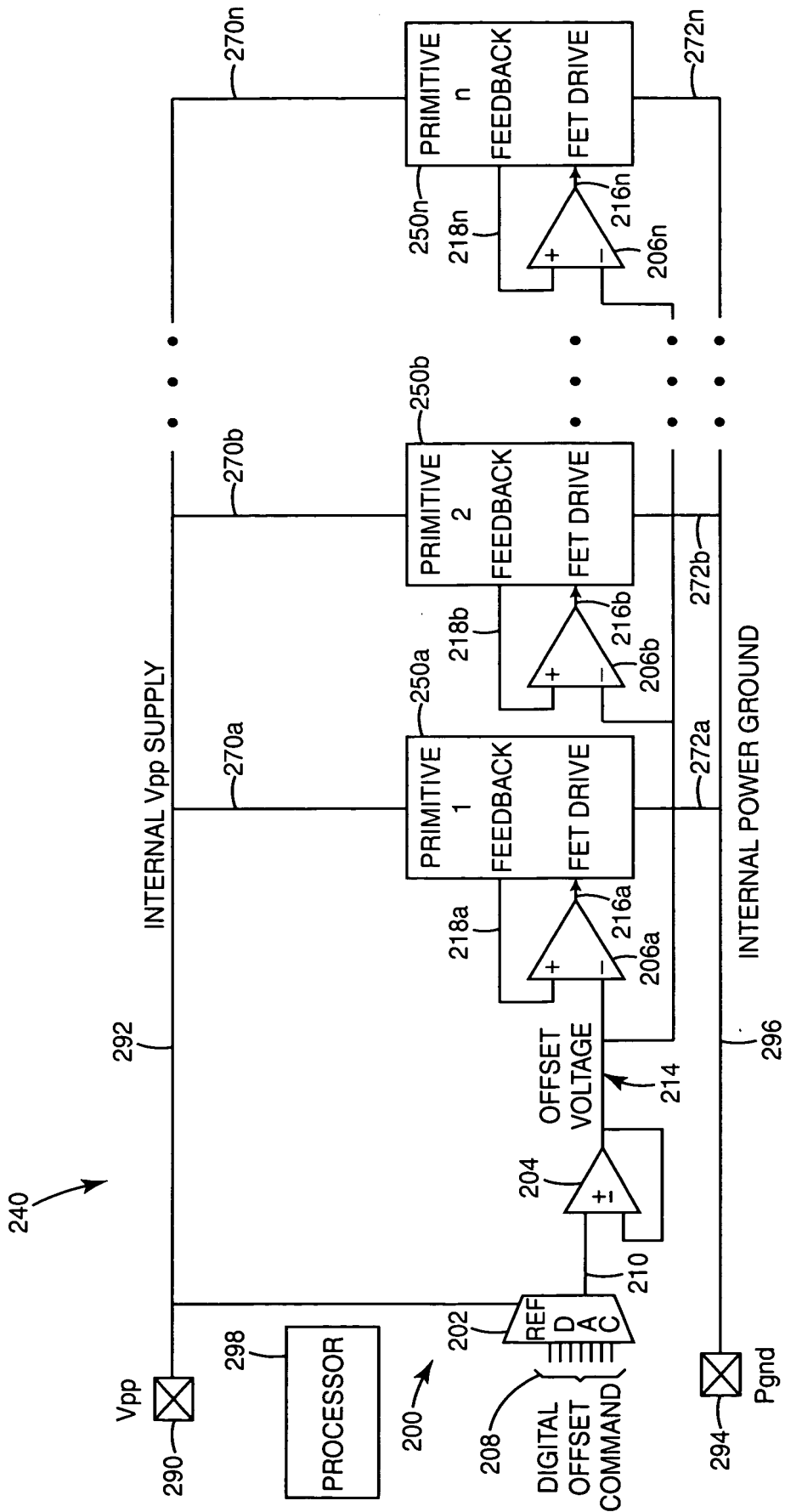


Fig. 6

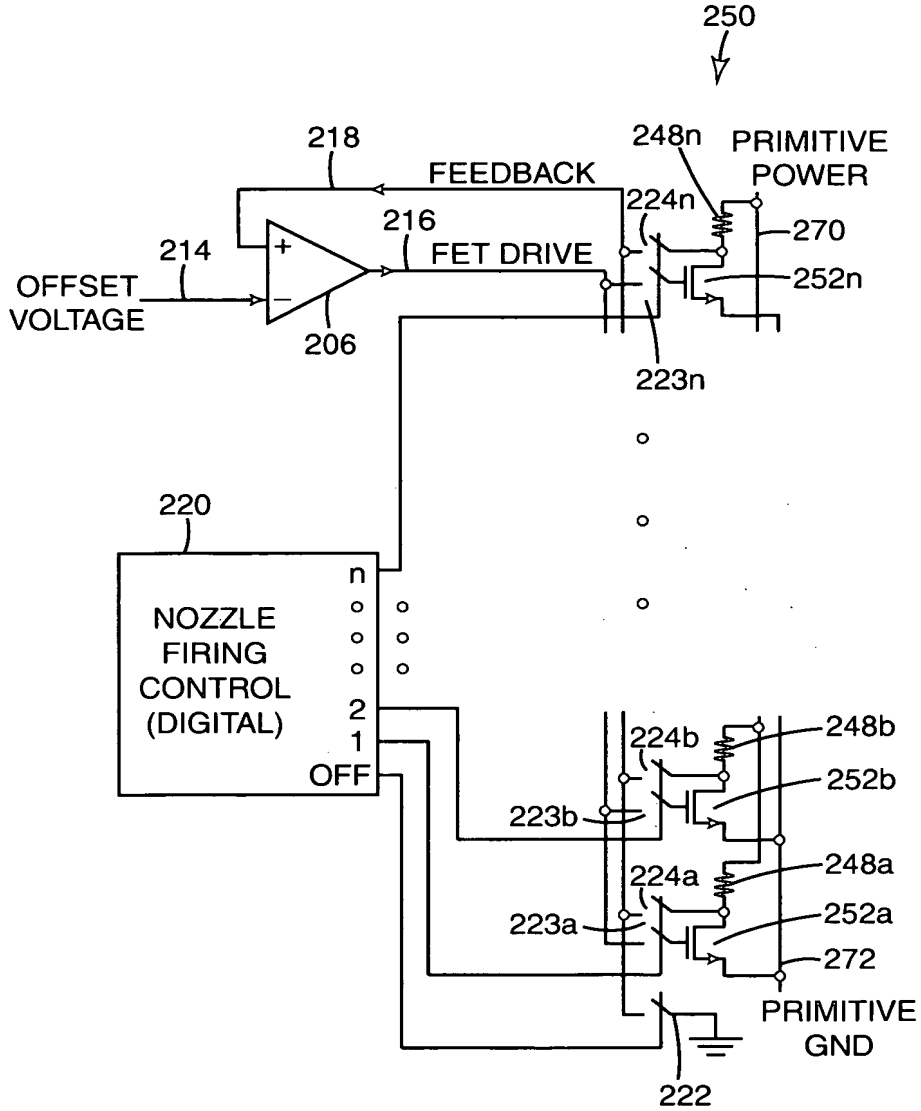


Fig. 7

Docket No. 10010484-2
**SELF-CALIBRATION OF POWER DELIVERY CONTROL
 TO FIRING RESISTORS**

George H. Corrigan
 8/8

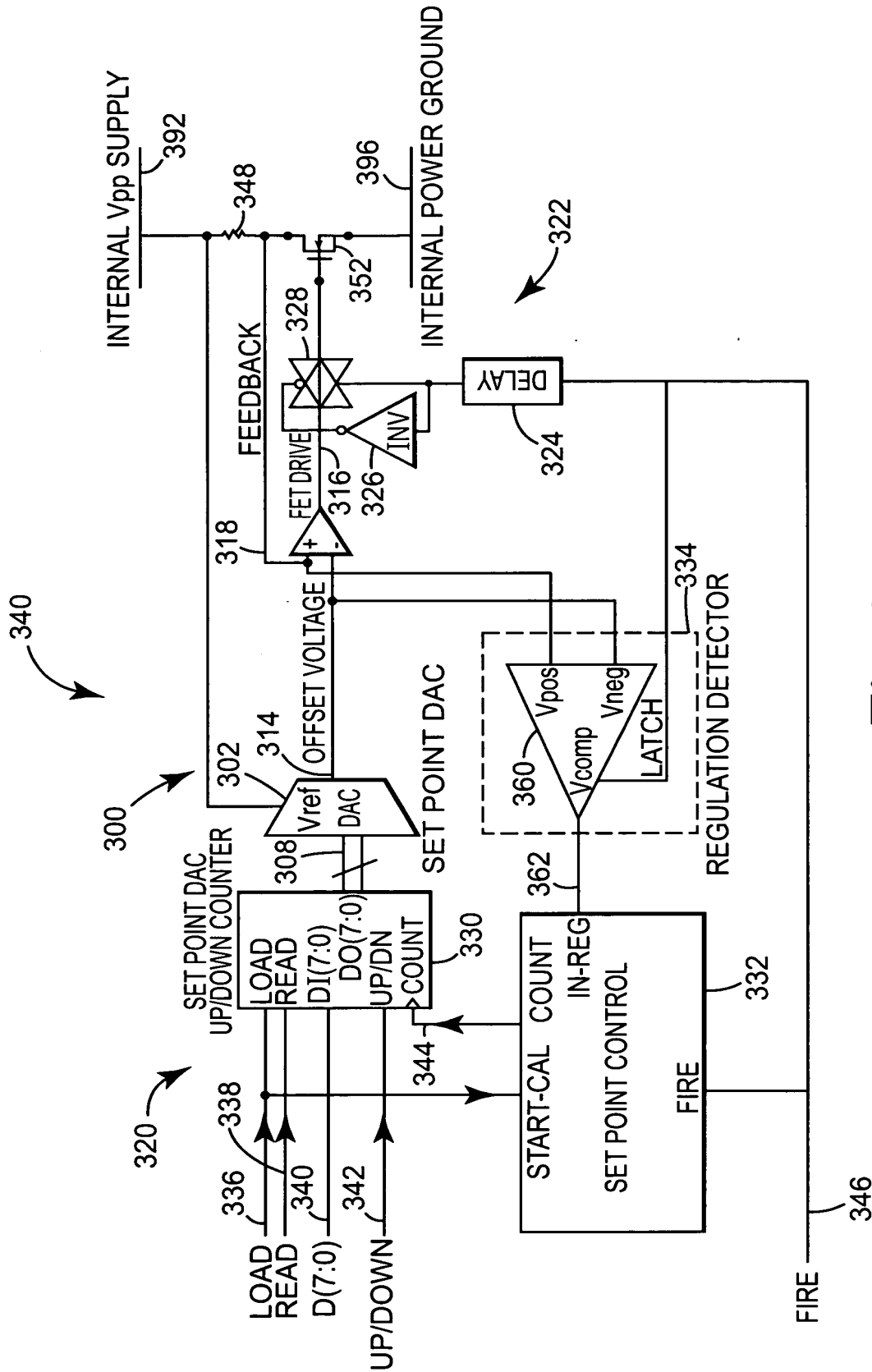


Fig. 8